

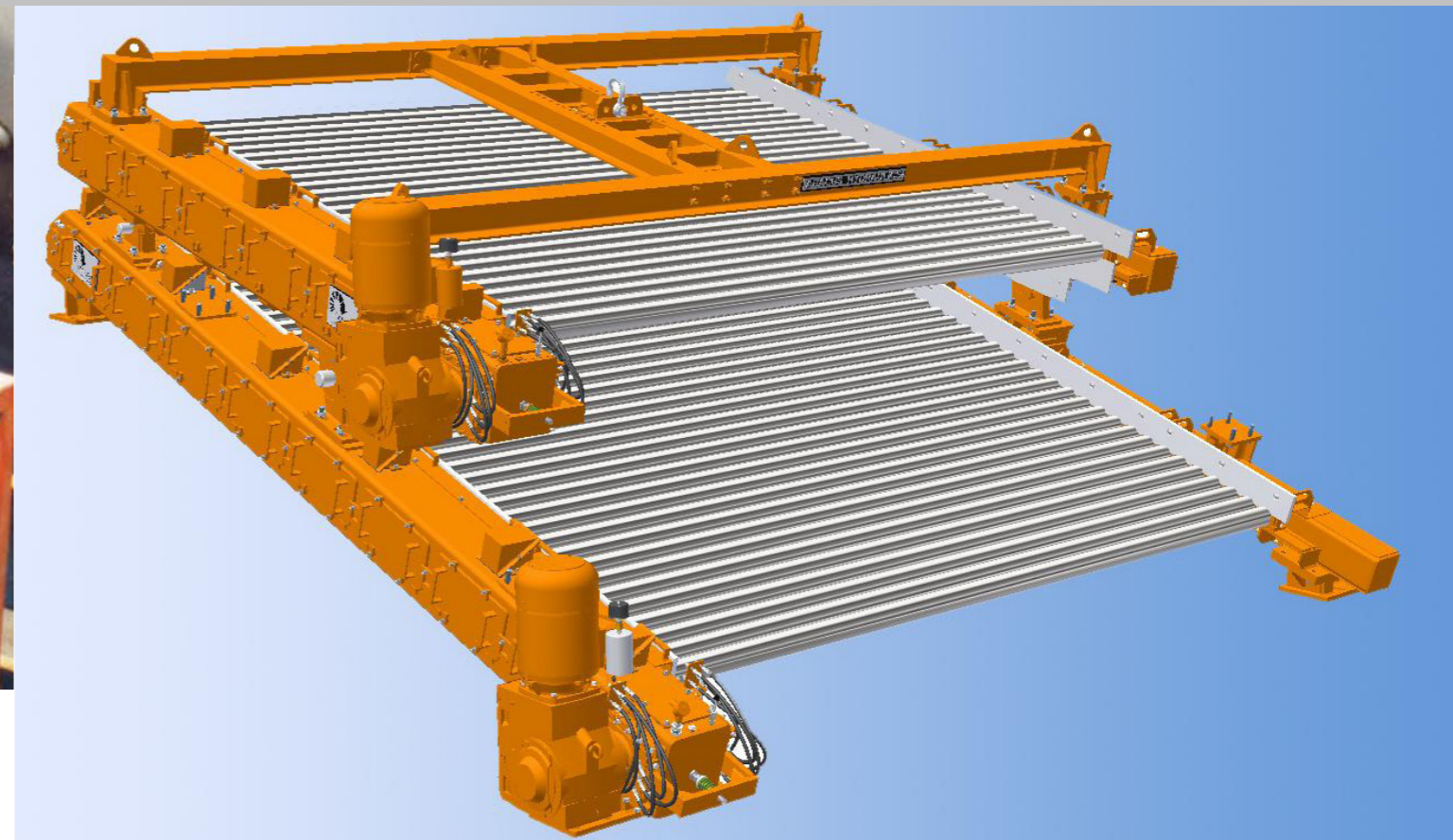
MILL INCHING DRIVES - HIGH TORQUE DRIVES ROLLER SCREEN PELLET CLASSIFYING SYSTEMS

Designed & Manufactured by Abacus Hydraulics Ltd.

- DESIGN
- MANUFACTURE
- SERVICE

Ingenuity in Hydraulics

Telephone: 1/-514-620-3113 | Email: info@abacus-hydraulics.com | www.abacus-hydraulics.com



Abacus Hydraulics Ltd., pioneer of hydrostatic mill inching drives has since its foundation in 1969 designed, and manufactured over 1000 systems now operating in plants around the world. Abacus drives are custom built and can suit any specifications. The available torque range is unlimited and virtually fits any high torque low speed requirements for mining equipment. The drives are equipped with the exclusive TORFLEX® gear type coupling which has been specifically designed and developed by Abacus Hydraulics Ltd.



TORFLEX® is a registered trade mark of Abacus Hydraulics Ltd.



Abacus Hydraulics Ltd., is since 1989 also a leader in the design and manufacture of roller screen pellet classifying systems. Abacus roller screens are equipped with several unique features, are custom built to suit any specifications and are available in a variety of configurations which can meet any project requirements. The roller screens are made of high quality components for reliable and long life operation with special emphasis on easy serviceability and safety.